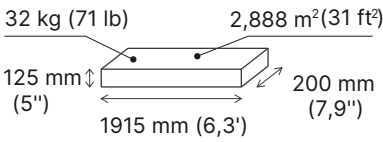
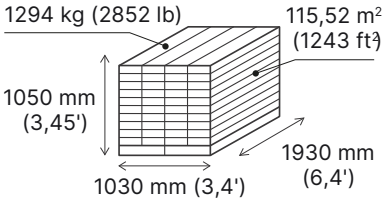


# HARDWOOD FLOORING




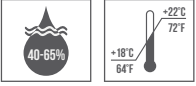
## TECHNICAL DETAILS

<b>Notes:</b>	<b>Pattern:</b> Plank 	<b>Color:</b> Foggy
---------------	---------------------------------------------------------------------------------------------------------	---------------------

PRODUCT INFO		PACKAGING		STRUCTURE
Species	White European Oak	<b>BOX</b>		2-layer Engineered Construction *  Solid wood 4 mm ** Plywood ***  * High Balance and Stability ** Saw Cut White European Oak *** Birch water resistant plywood
Finish	UV Silk			
Structure	Engineered (2-layer)			
Joint	T&G			
Bevel	Micro (0,5 mm)			
Surface	Light Brush	<b>PALLET</b>		
Grade	Character			
<b>DIMENSIONS</b>				
Thickness	15 mm (5/8")			
Width	190 mm (7,5")			
Row Length	1900 mm (6,25')			
Shorts	25%			

FINISH		Description										
Sheen \ Gloss	Matte	<table border="1"> <tr><td>antique wood</td><td>worm holes</td></tr> <tr><td>authentic natural</td><td>oak texture</td></tr> <tr><td>diverse</td><td>color variation</td></tr> <tr><td>sapwood</td><td>unlimited burls</td></tr> <tr><td>brown streaks</td><td>tight knots</td></tr> </table> <p>Character Grade creates an effect of antique wood and emphasizes authentic natural oak texture. Planks may contain diverse color variation, sapwood, unlimited burls, brown streaks, tight knots and properly filled open knots, warm holes as well as other imperfections in the face work (torn grain) to design advantage.</p>	antique wood	worm holes	authentic natural	oak texture	diverse	color variation	sapwood	unlimited burls	brown streaks	tight knots
antique wood	worm holes											
authentic natural	oak texture											
diverse	color variation											
sapwood	unlimited burls											
brown streaks	tight knots											
Look	Semi-open pores, wire brushed											
Feeling	Transfer warmth of natural wood											
Type	UV cured modified polyurethane-acrylate											
Wear resistance	High											
Scratch resistance	Medium											
Slip resistance	50 (SRV dry)											
Resistance to chemical agents	Class 5 (Except blue ink)											
Maintenance	Maintenance free											
Repairability	Easy											
TECHNICAL INFORMATION												
<b>Characteristics (EN 14342)</b>		<b>Deviations (EN 13489)</b>										
Formaldehyde emission class	E1; ULEF	Deviation on Thickness	0,2 mm									
Pentachlorophenol content	None	Deviation on Width	0,2 mm									
Thermal resistance	0,118 m2 K\W	Height Difference	0,2 mm									
Thermal conductivity	0,161 W\m K	Cup	<0,2% of width									
Fire resistance	Dfl-s1	Bow	<0,5% of length									
		Spring	<0,1% of length									

## PRODUCT USE

INSTALLATION	STORAGE & USE
 <p>Glue down over concrete, plywood or wooden subfloor or nail down over wooden subfloor. Semifloating installation as well. Applicable above, on and above ground level. Suitable for underfloor heating.</p>	 <p>Air Humidity 40-65%                      Temperature +18°C ... +22°C (64°F ... 72°F)</p>
CARE & MAINTENANCE	DESCRIPTIONS & IMAGERY
<p>Maintenance of hardwood floors with UV Silk assumes normal (daily if necessary) cleaning from dust and grit using a vacuum, followed by a thorough cleaning with floor cleaner. Floor surface areas that receive the most traffic and get worn down quicker, such as areas by the front door, hallways, kitchens etc., should be periodically renewed with oil.</p>	<p>Flooring colors displayed in digital platforms may vary according to the color settings of the monitor you are using.</p>

